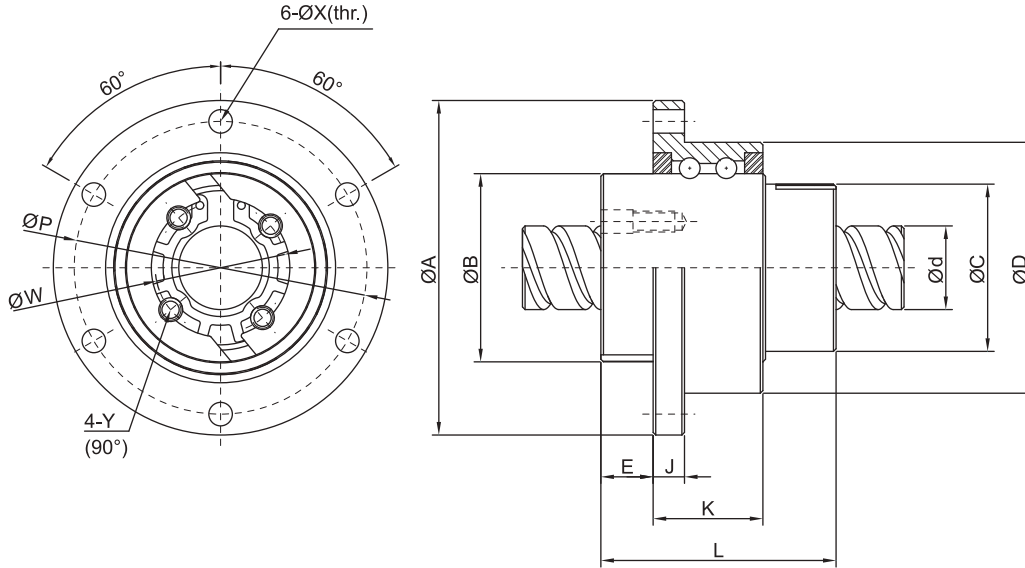


## RFSY Series Specifications



Unit: mm

Model No.	d	l	Da	n	Support Bearing Load Rating		Ball Screw Nut Dimension													Screw Nut Load Rating		
					Ca (kgf)	Coa (kgf)	D	A	B	L	C	E	J	K	P	X	W	Y	Ca (kgf)	Coa (kgf)		
RFSY01616-1.8	16	16	2.778	1.8x1	730	1484	48	-0.009 -0.025	64	36	0 -0.025	45	32	10	6	21	56	4.5	25	M4	591	1275
RFSY01616-3.6	16	16	2.778	1.8x2	730	1484	48	-0.009 -0.025	64	36	0 -0.025	45	32	10	6	21	56	4.5	25	M4	1073	2551
RFSY02020-1.8	20	20	3.175	1.8x1	788	1811	56	-0.01 -0.029	72	43.5	0 -0.025	52	39	11	6	21	64	4.5	31	M5	764	1758
RFSY02020-3.6	20	20	3.175	1.8x2	788	1811	56	-0.01 -0.029	72	43.5	0 -0.025	52	39	11	6	21	64	4.5	31	M5	1387	3515
RFSY02525-1.8	25	25	3.969	1.8x1	1094	2607	66	-0.01 -0.029	86	52	0 -0.03	64	47	13	7	25	75	5.5	38	M6	1142	2747
RFSY02525-3.6	25	25	3.969	1.8x2	1094	2607	66	-0.01 -0.029	86	52	0 -0.03	64	47	13	7	25	75	5.5	38	M6	2074	5494
◆ RFSY03232-1.8	32	32	4.762	1.8x1	1191	3233	78	-0.01 -0.029	103	63	0 -0.03	78	58	14	8	25	89	6.6	48	M6	1664	4345
◆ RFSY04040-1.8	40	40	6.35	1.8x1	2216	6685	100	-0.012 -0.034	130	79.5	0 -0.035	99	73	16.5	10	33	113	9	61	M8	2662	7031

※ Items labeled with ◆ are customized products.  
For these purchase orders, please contact TBI in advance.

